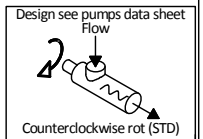
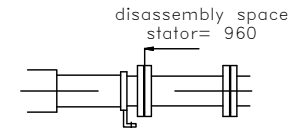
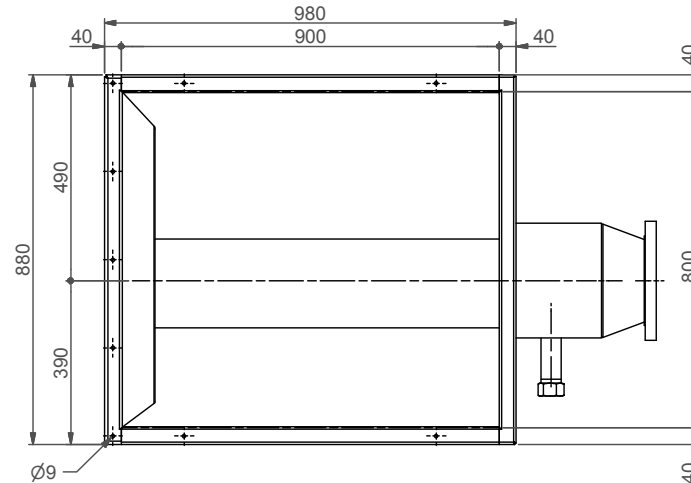
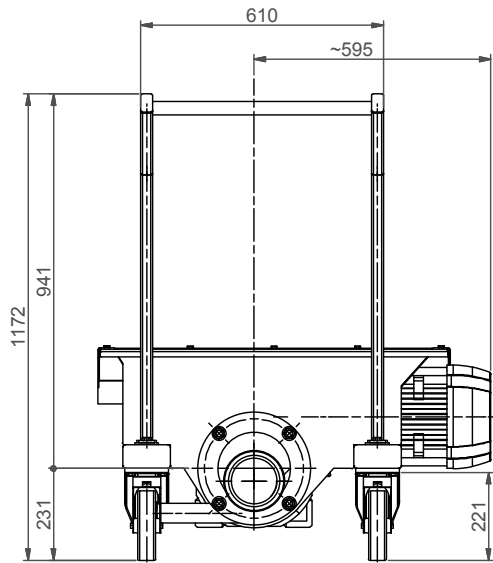
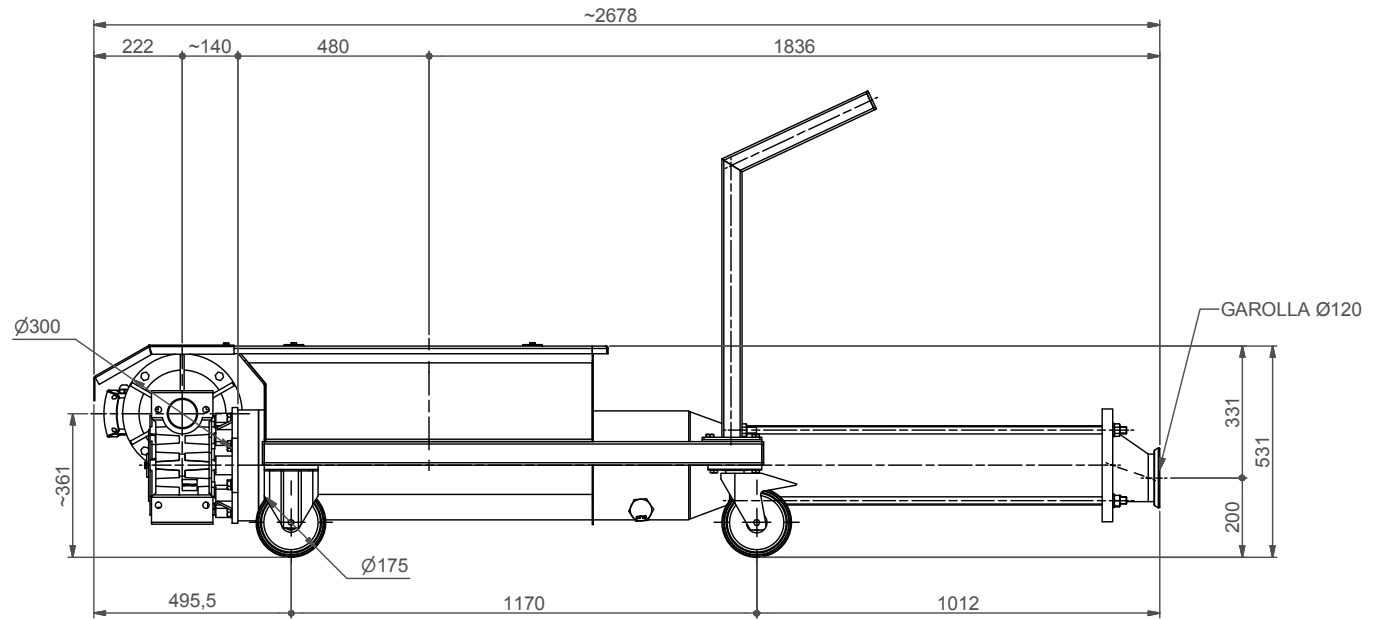


# C.W.M. S.R.L.



Replacement for:	Replacement by:
TYPE: <b>CD50-1</b>	Drawn: GM
Denomination:	Date: 25/01/15
Dimensional Drawing	Check: GM
	Date: 15/07/2013

Scale: 1:19	Weight: 390 kg
	Sheet 1 of 1
General Tolerances ISO 2768-v	
Geometrical tolerance and roughness ISO 1302	